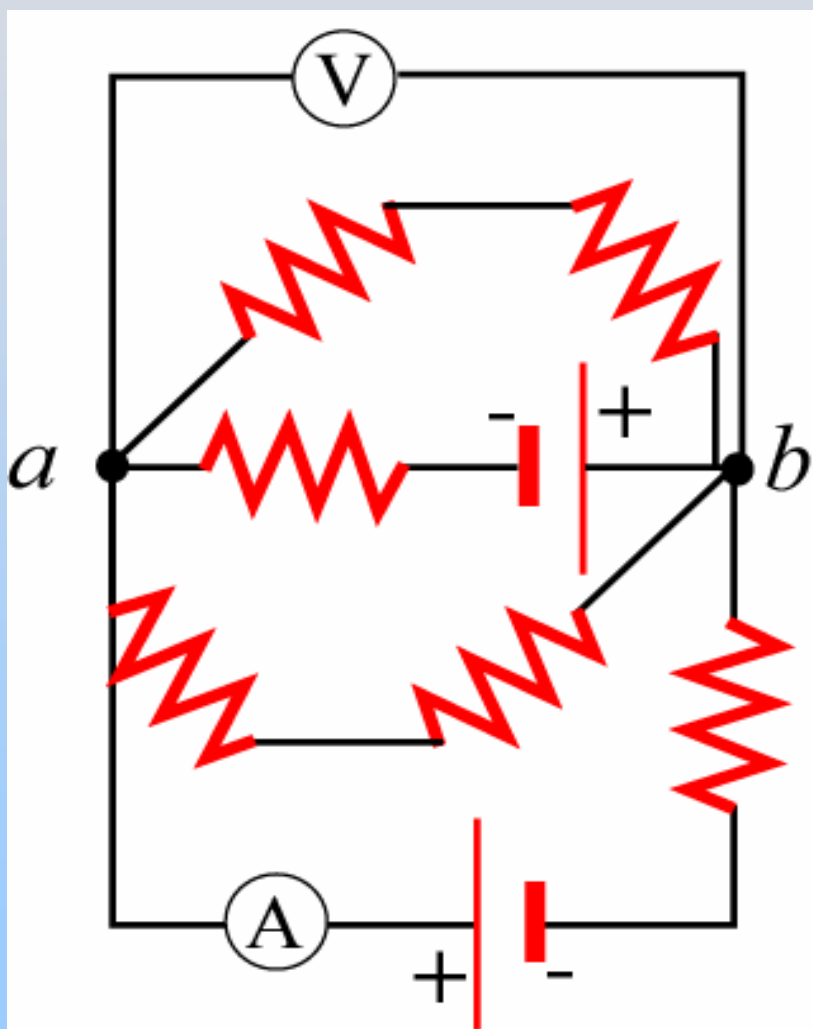
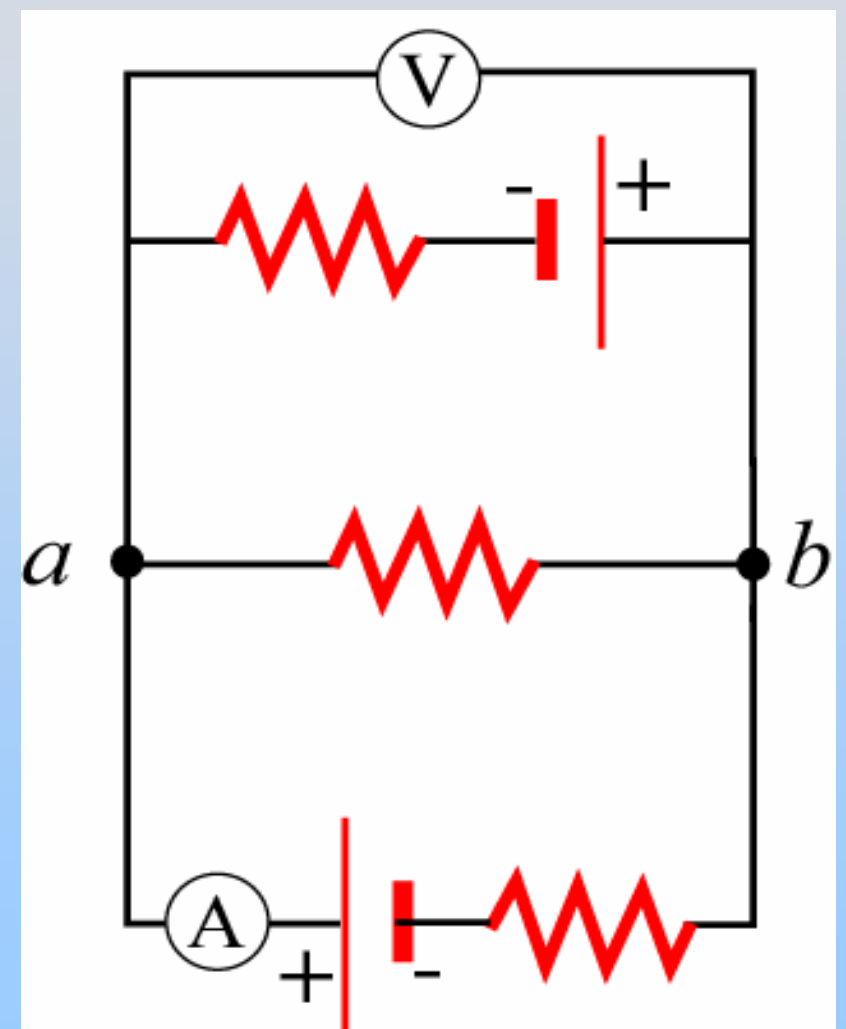


Group Problem: Circuit

Find meters' values. All resistors are R , batteries are \mathcal{E}



HARDER



EASIER