

Figure by MIT OpenCourseWare.

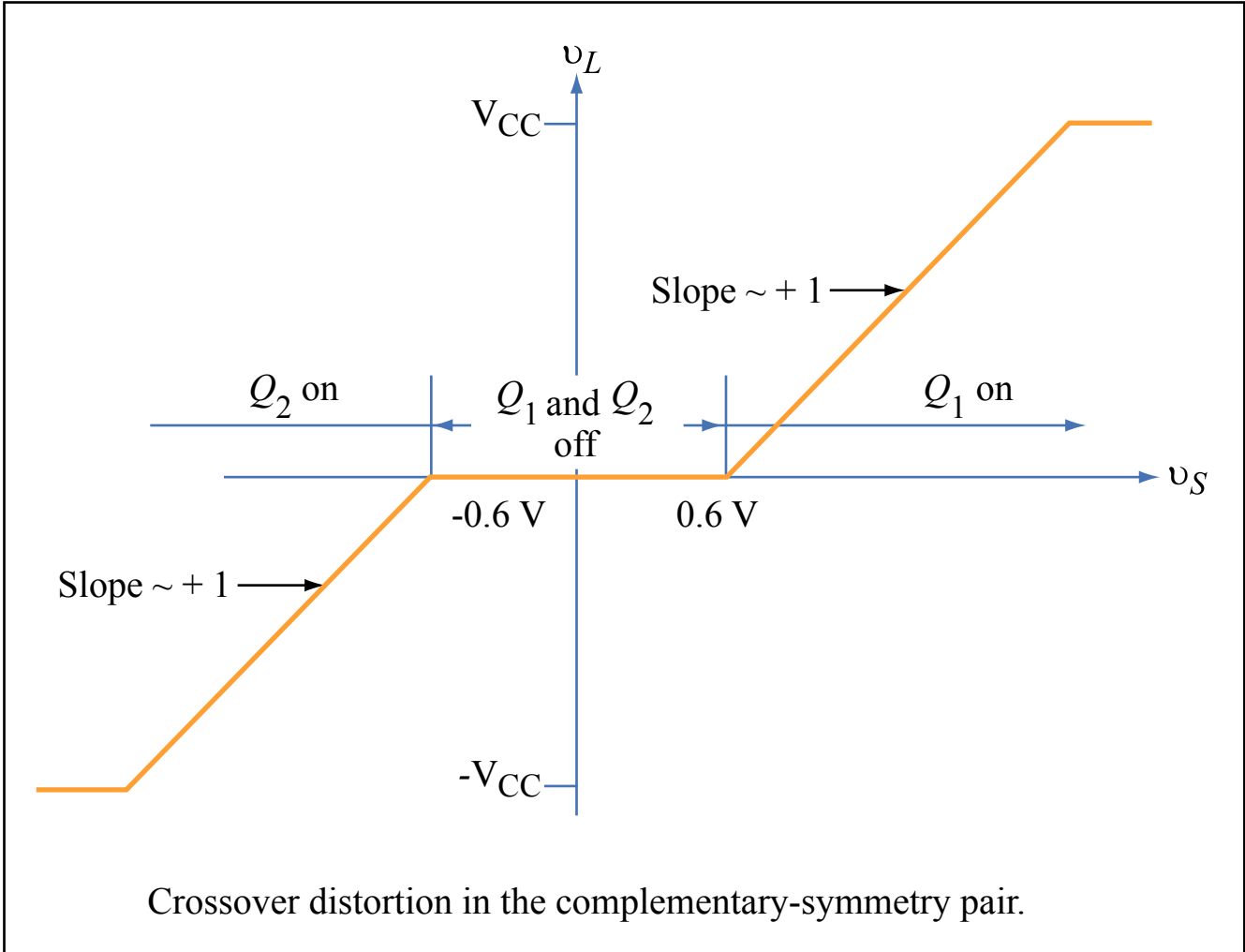
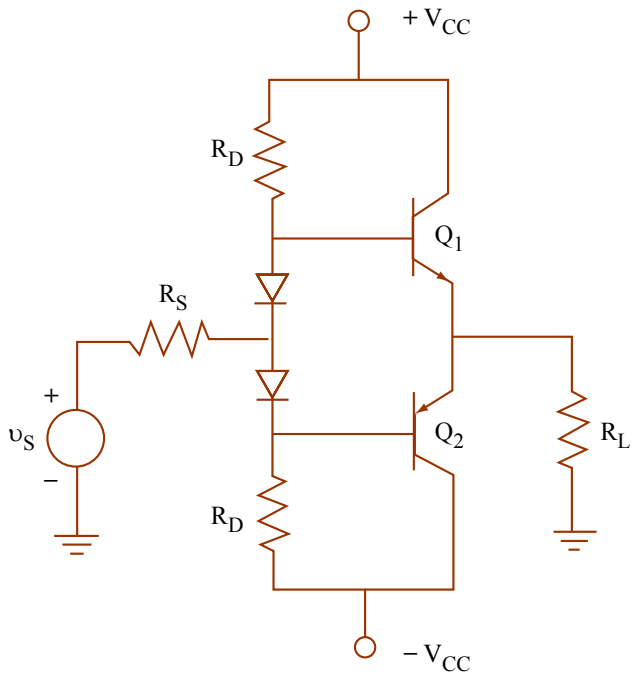
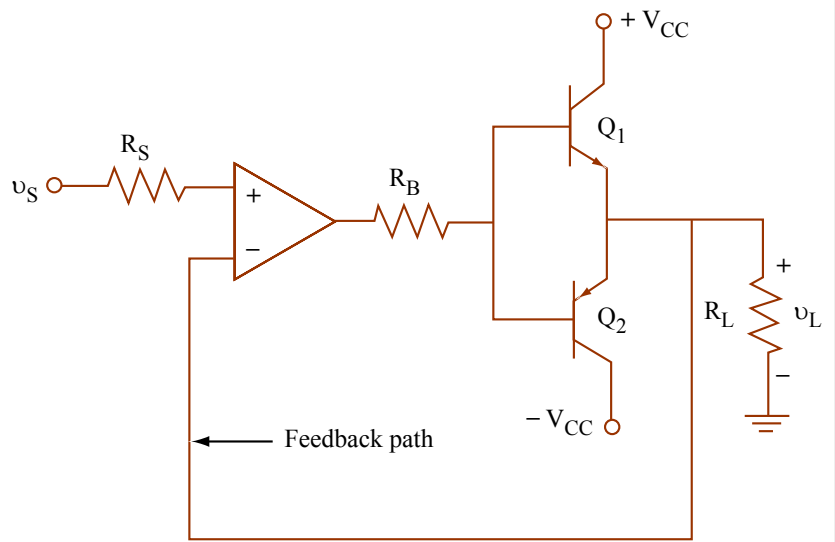


Figure by MIT OpenCourseWare.



(a) Diode biasing



(b) Unity-gain feedback

Two ways to reduce crossover distortion.

Figure by MIT OpenCourseWare.

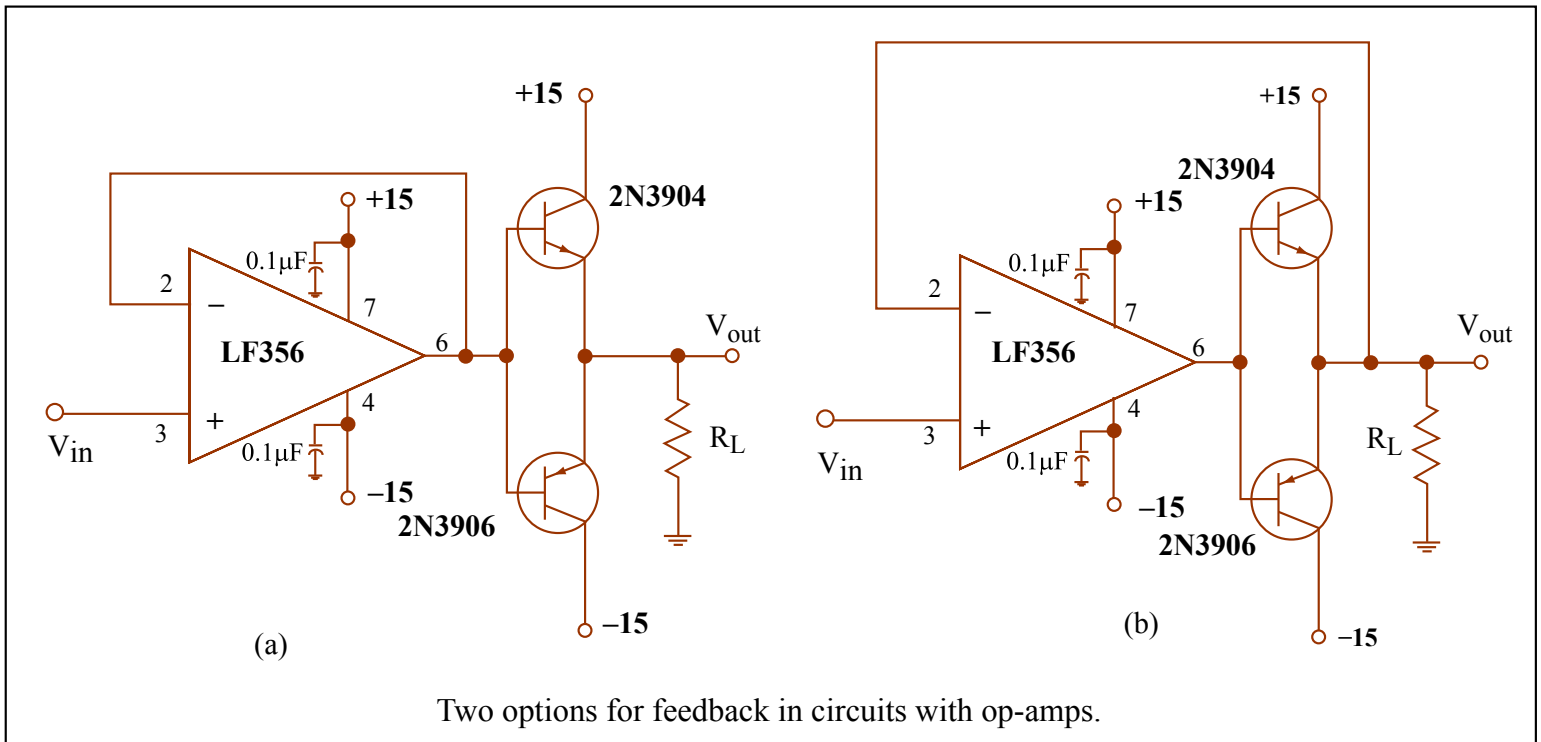


Figure by MIT OpenCourseWare.