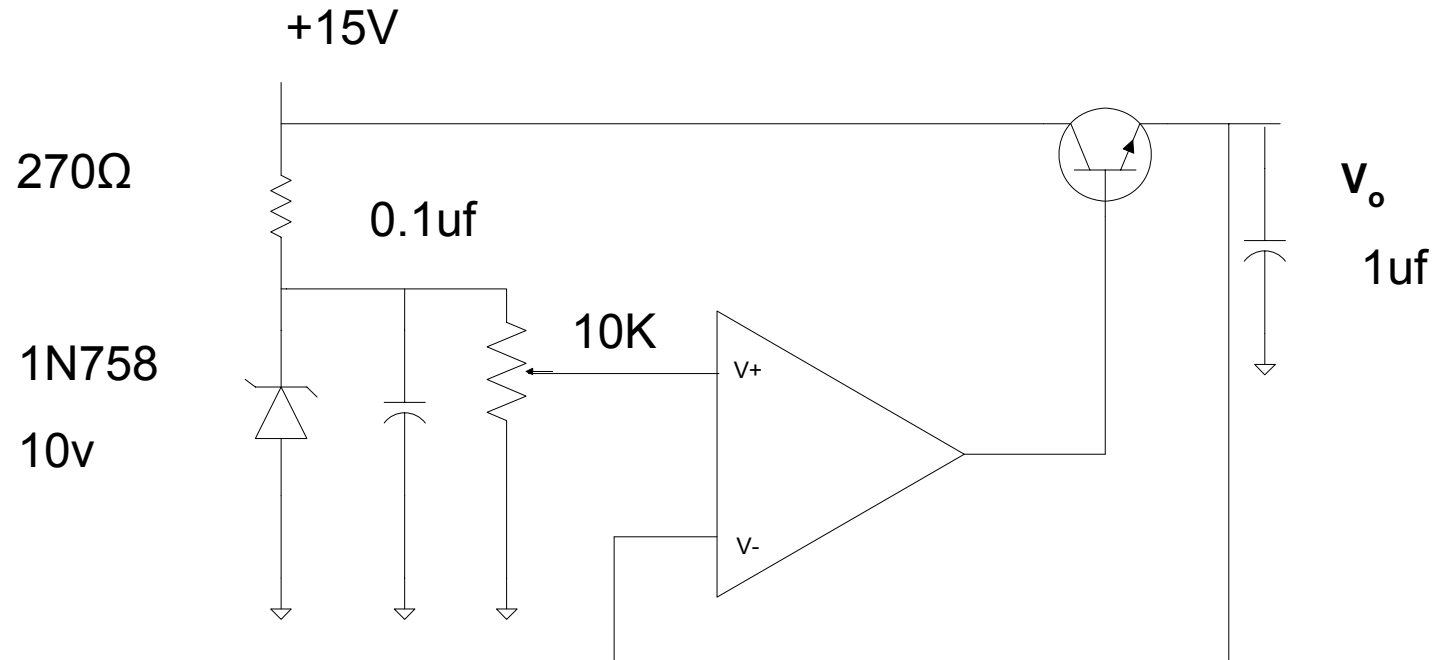


Adjustable Voltage Power Supply



555 Block Diagram

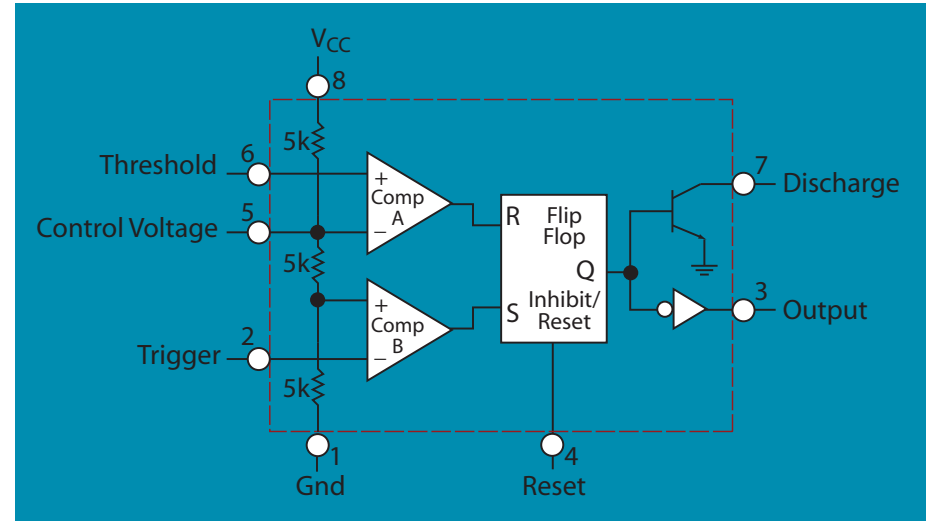
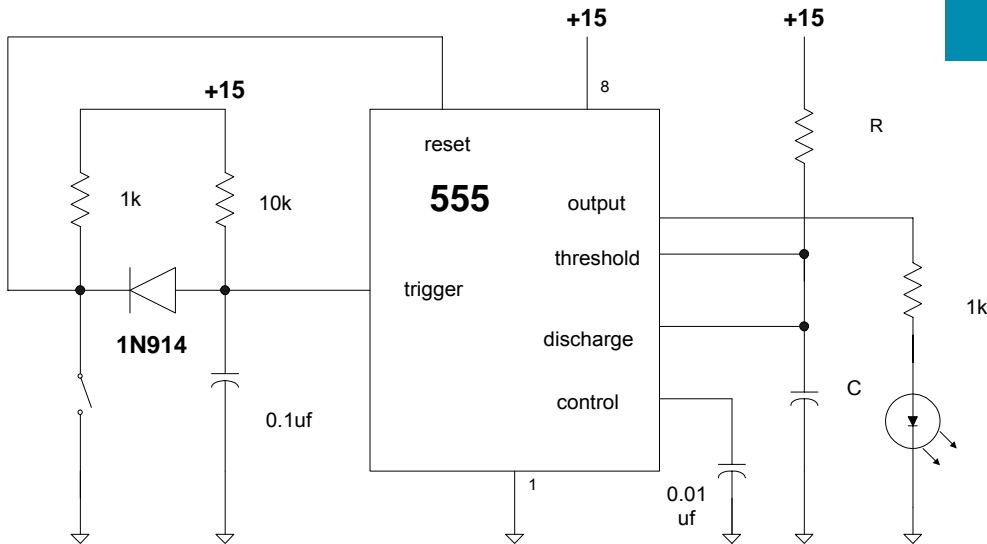


Figure by MIT OpenCourseWare.



Trig<1/3 S	Thres>2/3 R	Reset	Output
1	1	1	last state
0	1	1	low
1	0	1	high
0	0	1	high
NA	NA	0	low