

MIT OpenCourseWare
<http://ocw.mit.edu>

6.013/ESD.013J Electromagnetics and Applications, Fall 2005

Please use the following citation format:

Markus Zahn, Erich Ippen, and David Staelin, *6.013/ESD.013J Electromagnetics and Applications, Fall 2005*. (Massachusetts Institute of Technology: MIT OpenCourseWare). <http://ocw.mit.edu> (accessed MM DD, YYYY). License: Creative Commons Attribution-Noncommercial-Share Alike.

Note: Please use the actual date you accessed this material in your citation.

For more information about citing these materials or our Terms of Use, visit:
<http://ocw.mit.edu/terms>

Reading Assignment: 2.2, 2.7

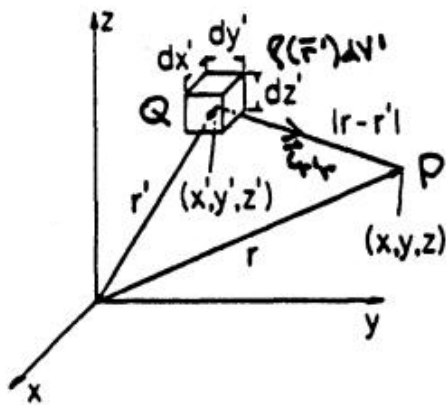
Problem 3.1

The superposition integral in free space for the electric scalar potential is

$$\Phi(\vec{r}) = \int_{V'} \frac{\rho(\vec{r}') dV'}{4\pi\epsilon_0 |\vec{r} - \vec{r}'|} \quad (1)$$

The electric field is related to the potential as

$$\vec{E}(\vec{r}) = -\nabla\Phi(\vec{r}) \quad (2)$$



An elementary volume of charge $dq = \rho(\vec{r}')dV'$ at r' gives rise to a potential at the observer position r .

Figure 4.5.1 from Electromagnetic Fields and Energy by Hermann A. Haus and James R. Melcher.

The vector distance between a source point at Q and a field point at P is:

$$\vec{r} - \vec{r}' = (x - x')\vec{i}_x + (y - y')\vec{i}_y + (z - z')\vec{i}_z$$

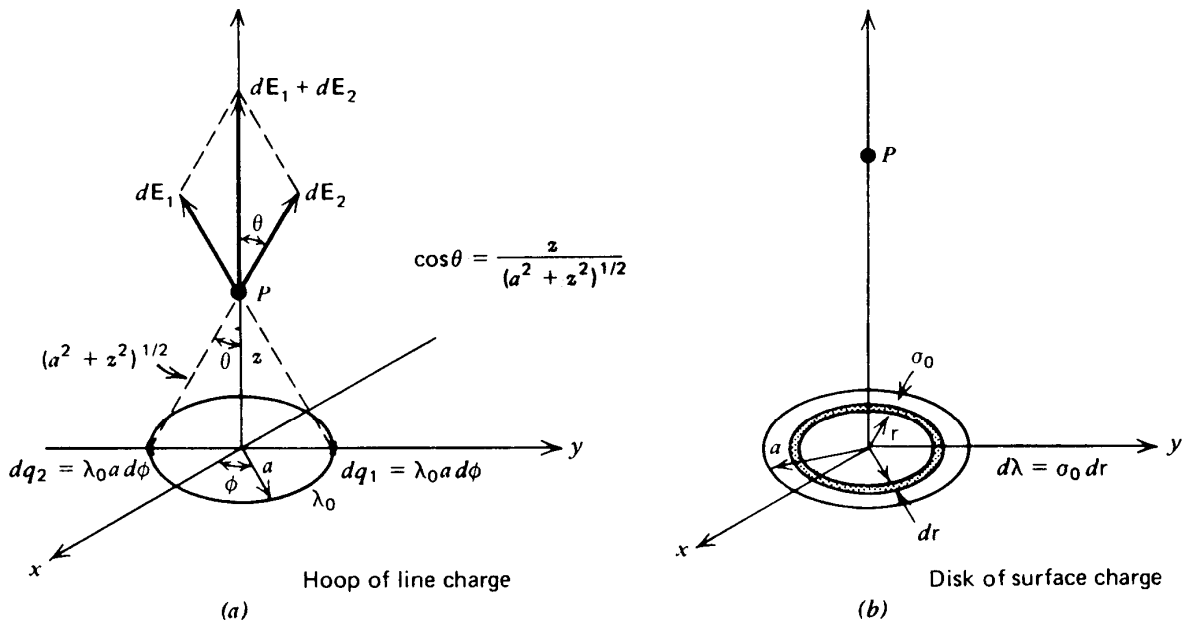
- a. By differentiating $|\vec{r} - \vec{r}'|$ in Cartesian coordinates with respect to the unprimed coordinates at P show that

$$\nabla \left(\frac{1}{|\vec{r} - \vec{r}'|} \right) = \frac{-(\vec{r} - \vec{r}')}{|\vec{r} - \vec{r}'|^3} = \frac{-\vec{i}_{r'r}}{|\vec{r} - \vec{r}'|^2}$$

where $\vec{i}_{r'r}$ is the unit vector pointing from Q to P .

- b. Using the results of (a) show that

$$\vec{E}(\vec{r}) = -\nabla\Phi(\vec{r}) = -\int_{V'} \frac{\rho(\vec{r}')}{4\pi\epsilon_0} \nabla \left(\frac{1}{|\vec{r} - \vec{r}'|} \right) dV' = \int_{V'} \frac{\rho(\vec{r}')\vec{i}_{r'r}}{4\pi\epsilon_0 |\vec{r} - \vec{r}'|^2} dV' \quad (3)$$



Figures 2.13a) and b) in *Electromagnetic Field Theory: A Problem Solving Approach*, by Markus Zahn, 1987. Used with permission.

- c. A circular hoop of line charge λ_0 coulombs/meter with radius a is centered about the origin in the $z=0$ plane. Find the electric scalar potential along the z -axis for $z < 0$ and $z > 0$ using Eq. (1) with $\rho(r')dV' = \lambda_0 a d\phi$. Then find the electric field magnitude and direction using symmetry and Eq. (2). Verify that using Eq. (3) gives the same electric field. What do the electric scalar potential and electric field approach as $z \rightarrow \infty$ and how do these results relate to the potential and electric field of a point charge?
- d. Use the results of (c) to find the electric scalar potential and electric field along the z axis for a uniformly surface charged circular disk of radius a with uniform surface charge density σ_0 coulombs/m². Consider $z > 0$ and $z < 0$. What do the electric scalar potential and electric field approach as $z \rightarrow \infty$ and how do these results relate to the potential and electric field of a point charge? What does the electric field approach as the disk gets very large so that $a \rightarrow \infty$.

Problem 3.2

An electric dipole consists of two opposite polarity charges, $\pm q$ at $z = \pm d/2$.

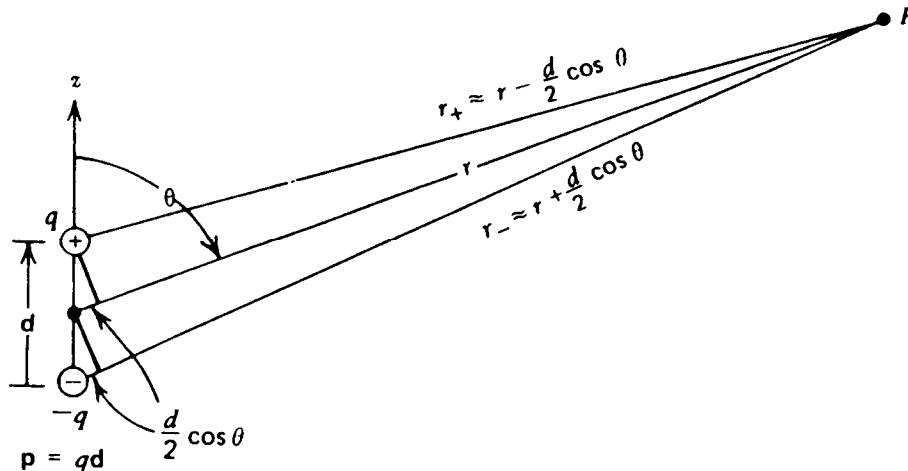


Figure 3.2a) in *Electromagnetic Field Theory: A Problem Solving Approach*, by Markus Zahn, 1987. Used with permission.

- Start with the electric potential of a point charge, and determine Φ for the electric dipole.
- Define the dipole moment as $p=qd$ and show that in the limit where $d \rightarrow 0$ (while p remains finite), the electric potential is

$$\Phi = \frac{p \cos \theta}{4\pi\epsilon_0 r^2}$$

- What is the electric field for the dipole of part (b) with $d \rightarrow 0$ with p remaining finite?
- The electric field lines are lines that are tangent to the electric field:

$$\frac{dr}{rd\theta} = \frac{E_r}{E_\theta}$$

Using the result of (c), integrate this equation to find the field line that passes through the radial point r_0 when $\theta = \pi/2$. This analytical equation can be used to precisely plot the electric field lines.

Hint: $\int \cot \theta d\theta = \ln(\sin \theta) + \text{constant}$

- Use your favorite computer plotting routine to plot equipotential and electric field lines for $\frac{p}{4\pi\epsilon_0} = 0.01$ volt-m². Draw electric field lines for $r_0 = 0.25, 0.5, 1, \text{ and } 2$ meters and draw equipotential lines for $\Phi = 0, \pm 0.0025, \pm 0.01, \pm 0.04, \pm 0.16, \text{ and } \pm 0.64$ volts.

Problem 3.3

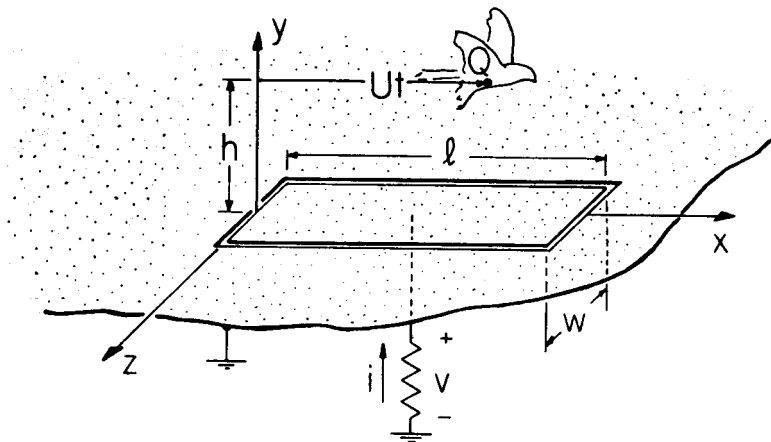


Figure P4.7.3 in *Electromagnetic Fields and Energy*, by Hermann A. Haus and James R. Melcher, 1989.

When a bird perches on a dc high-voltage power line and then flies away, it does so carrying a net charge.

- Why?
- For the purpose of measuring this net charge Q carried by the bird, we have the apparatus pictured above. Flush with the ground, a strip electrode having width w and length l is mounted so that it is insulated from ground. The resistance, R , connecting the electrode to ground is small enough that the potential of the electrode (like that of the surrounding ground) can be approximated as zero. The bird flies in the x direction at a height h above

the ground with a velocity U . Thus, its position is taken as $y=h$ and $x=Ut$. At time t , what is the effective charge distribution that will allow easy calculation of the electric scalar potential?

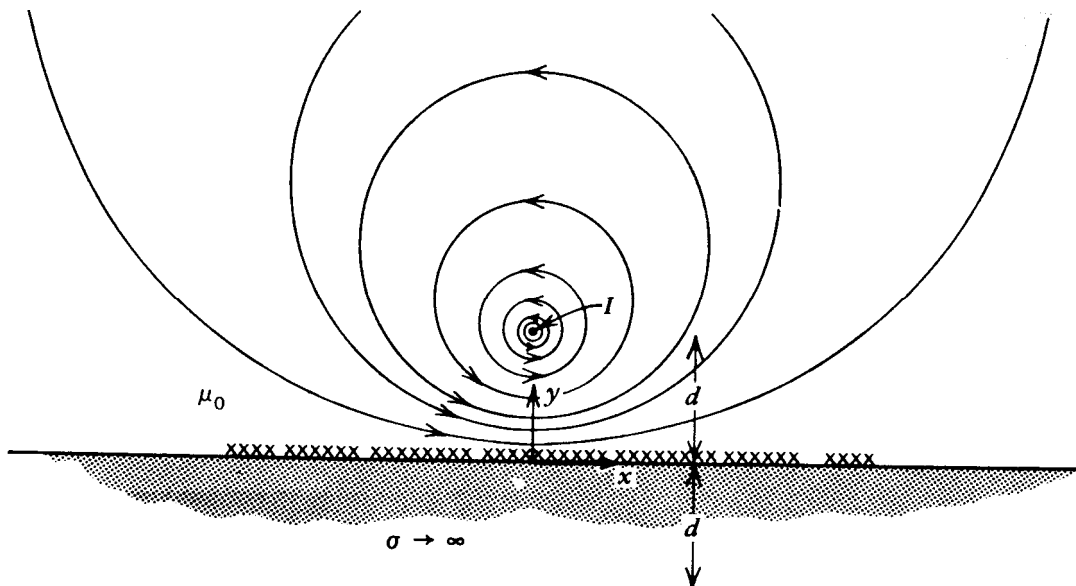
- (c) Given that the bird has flown at an altitude sufficient to make it appear as a point charge, what is the potential distribution as a function of time and position (x, y, z) ?
- (d) Determine the surface charge density $\sigma_s(x, y=0, z, t)$ on the ground plane at $y=0$ as a function of time.
- (e) At time t , what is the net charge, q , on the electrode? (Assume that the width w is small compared to h so that in an integration over the electrode surface, the integration in the z direction is simply a multiplication by w .)

Hint: Let $x' = x - Ut$

Hint:
$$\int \frac{dx}{[a^2 + x^2]^{3/2}} = \frac{x}{a^2[a^2 + x^2]^{1/2}}$$

- (f) The current through the resistor is dq/dt . Find an expression for the voltage, v , that would be measured across the resistance, R .

Problem 3.4



From *Electromagnetic Field Theory: A Problem Solving Approach*, by Markus Zahn, 1987. Used with permission.

A line current I of infinite extent in the z -direction is at a distance d above a perfectly conducting plane.

- (a) Use the method of images to satisfy boundary conditions and find the magnetic field for $y > 0$.

Hint:
$$\vec{i}_\phi = (-y\vec{i}_x + x\vec{i}_y) / \sqrt{x^2 + y^2}$$

- (b) What is the surface current that flows on the $y=0$ surface?

(c) What is the total current flowing on the $y=0$ surface?

$$\text{Hint: } \int \frac{dx}{x^2 + d^2} = \frac{1}{d} \tan^{-1} \left(\frac{x}{d} \right)$$

(d) What is the force per unit length on the line current at $y = d$?