

Contraptions for Viewing, Drawing and Geometry

Figure removed due to copyright restriction.

Two draughtsmen plotting points for the drawing of a lute in fore-shortening, from Durer's *Underweyssung*, 1525.
Kemp, *Science of Art*, 1990

Figure removed due to copyright restrictions.

Kemp, *Science of Art*, 1990

Figure removed due to copyright restriction.

Leonardo da Vinci, *Draughtsman using a Transparent Plane to Draw an Armillary Sphere*, c.1510, Milan, Biblioteca Ambrosiana, Codice Atlantico Ira (new 5).

Kemp, *Science of Art*, 1990

Figures removed due to copyright restriction.

Sighting device for perspectival projection, from Cigoli's "Prospettiva pratica".
Kemp, *Science of Art*, 1990.

Cross-staff device for perspectival projection, from Cigoli's "Prospettiva pratica".
Kemp, *Science of Art*, 1990.

Figure removed due to copyright restrictions.

La perspective avec la raison des ombres et miroirs , Salomon de Caus London, 1612.
Right, Mirror A, Eyepiece viewing hole D, from Stevin, *Optics*, 1605, in his *Oevres*

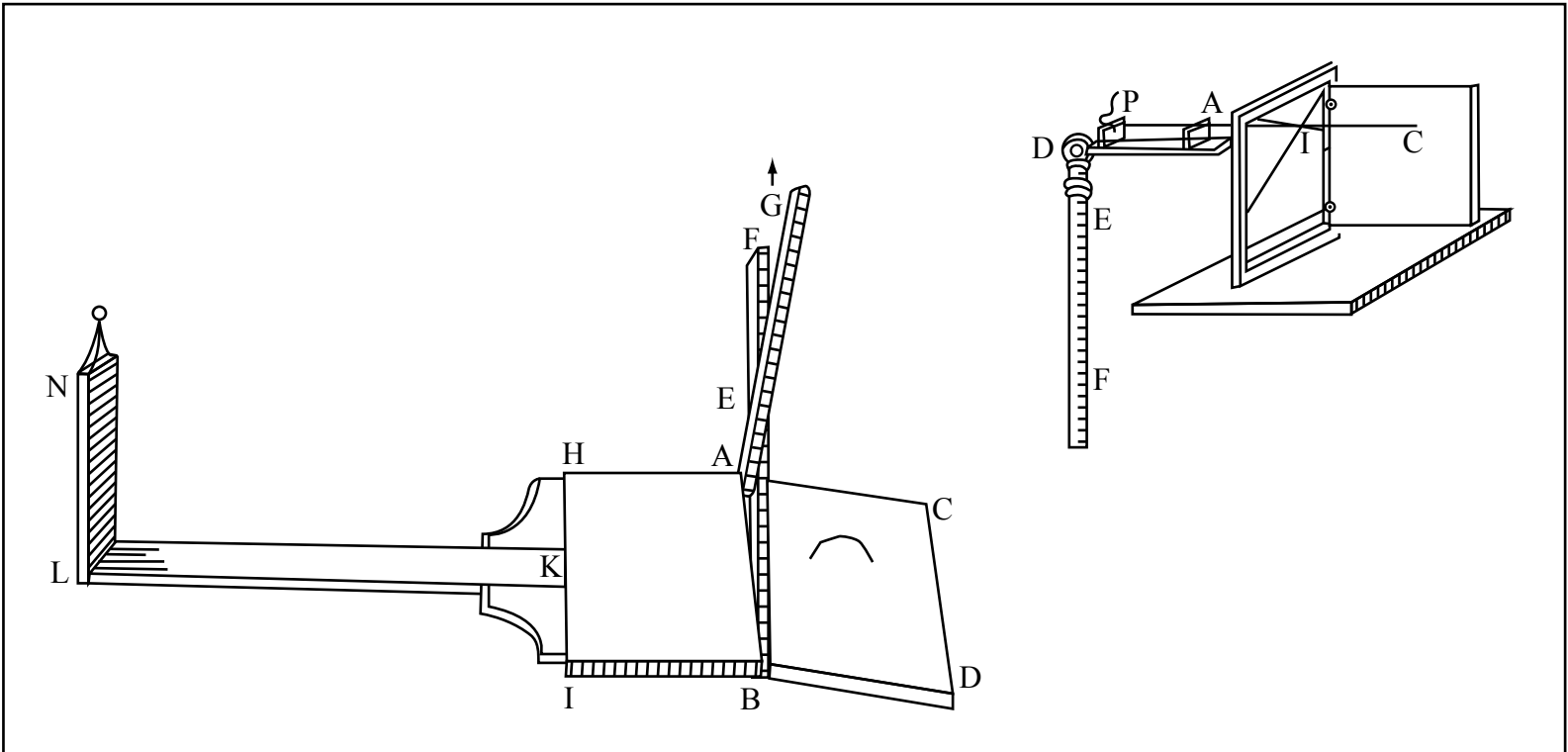


Figure by MIT OpenCourseWare.

Vignola, 1507-1573. Les deux règles de la perspective pratique de Vignole, 1583
 Egnatio Danti (Paris : CNRS, 2003 reprint).

Figure removed due to copyright restrictions.

Vignola, 1507-1573. Les deux règles de la perspective pratique de Vignole, 1583
Egnatio Danti

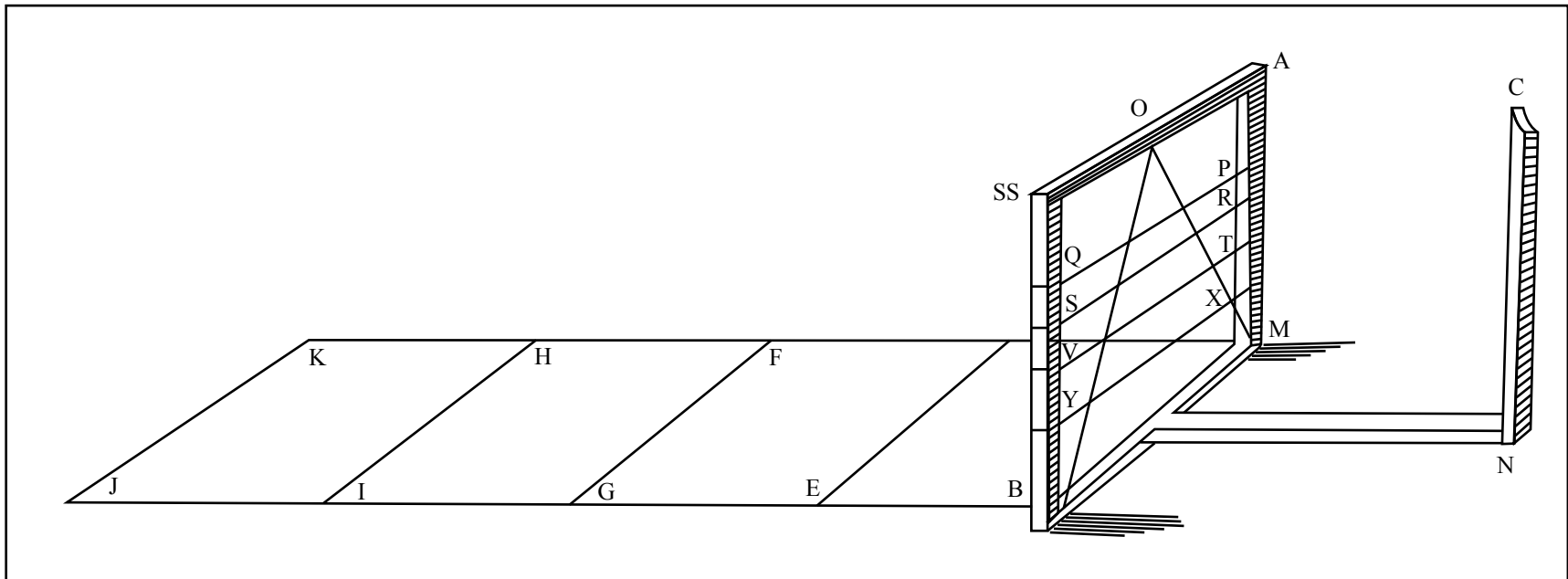


Figure by MIT OpenCourseWare.

Vignola, 1507-1573. Les deux règles de la perspective pratique de Vignole, 1583
Egnatio Danti

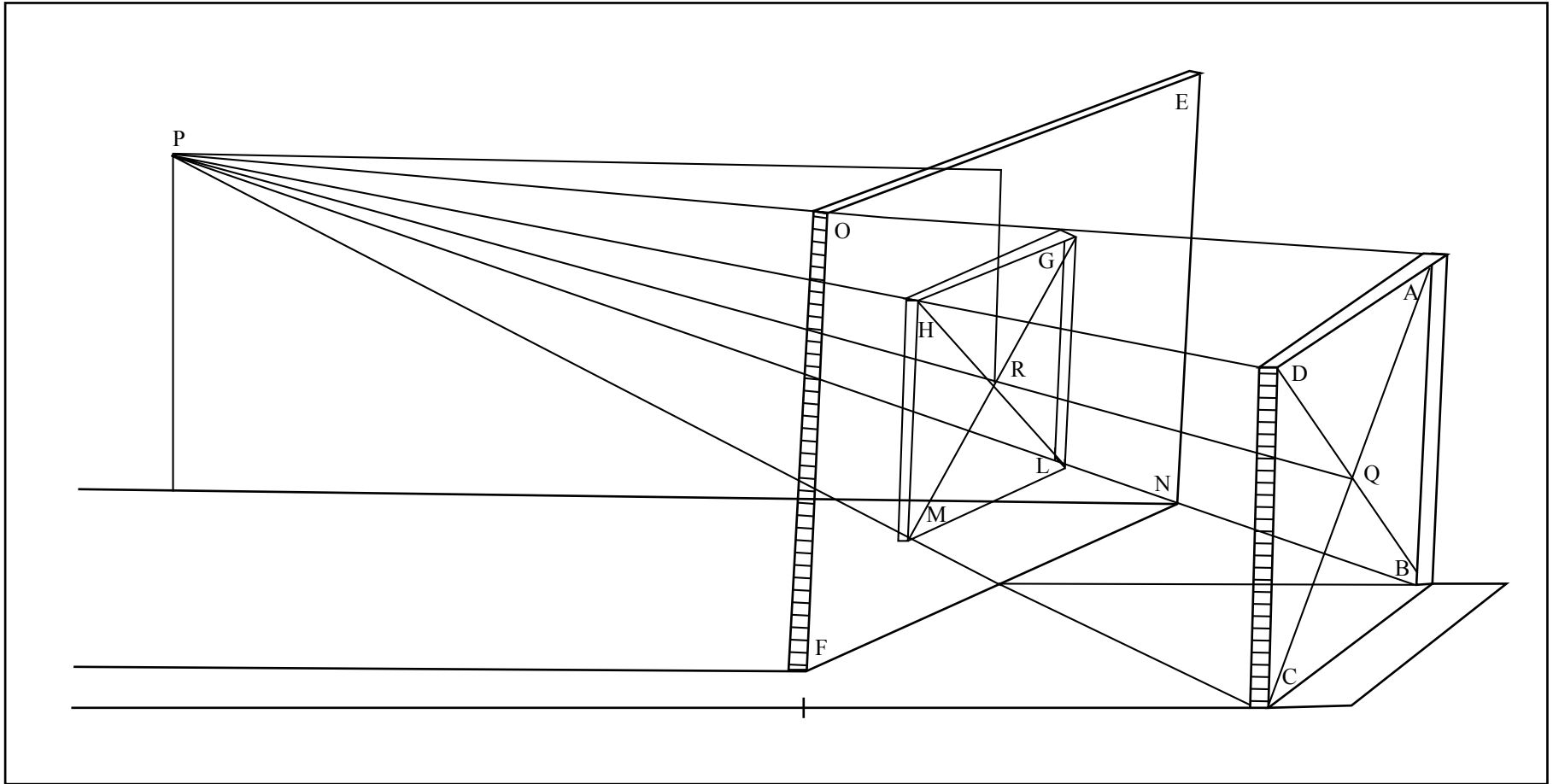


Figure by MIT OpenCourseWare.

Vignola, 1507-1573. Les deux règles de la perspective pratique de Vignole, 1583
 Egnatio Danti

Figure removed due to copyright restriction.

Les deux règles de la perspective pratique de Vignole, 1583 /
Egnatio Danti ; traduction et édition critique par Pascal
Dubourg Glatigny.

Vignola, 1507-1573. Les deux règles de la perspective pratique de Vignole, 1583
Egnatio Danti

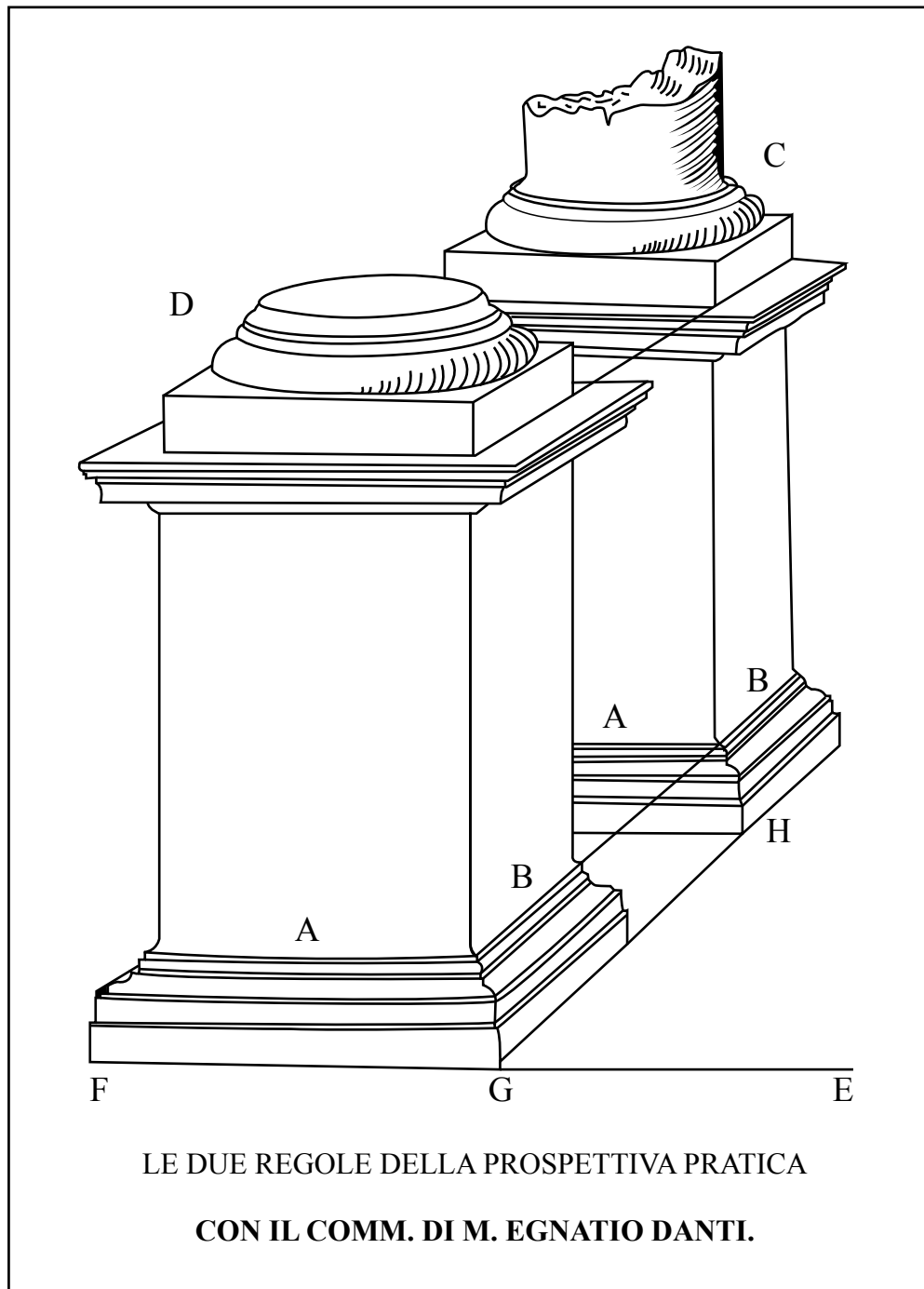


Figure by MIT OpenCourseWare.

Vignola, 1507-1573. Les deux règles de la perspective pratique de Vignole, 1583
Egnatio Danti

MIT OpenCourseWare
<http://ocw.mit.edu>

EC.050 Recreate Experiments from History: Inform the Future from the Past: Galileo
Januray (IAP) 2010

For information about citing these materials or our Terms of Use, visit: <http://ocw.mit.edu/terms>.